

Panel Mount LED Indicators- Recessed PA05XRS Series

Features:

- Ø9.5mm Bezel, M8 Thread
- Black or chrome housing
- Sealed to IP20 or IP67
- Diffused or Clear lens
- Choice of termination
- Range of LED colours
- Range of voltage options
- High visibility
- Low Voltage, High Efficiency
- Long Life – Maintenance free



Description

Attractive range of panel mount LED lamps comprising of a single 5.0mm LED emitter with a choice of bezel finish and termination

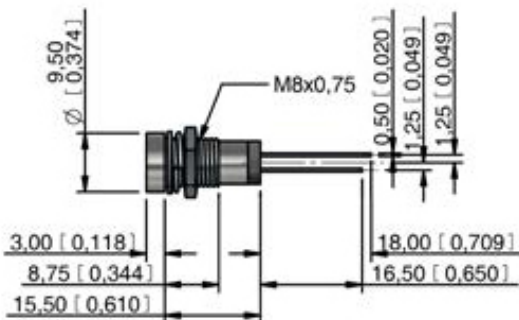
Specifications

Part No.	LED Chip	Emitted Colour	Wavelength (nm)	Voltage Typ.(Vdc)	Luminous Intensity (mcd)
PA05XRS/I	AllnGaP	Red	635	2.0	40
PA05XRS/A	AllnGaP	Amber	590	2.0	30
PA05XRS/O	AllnGaP	Orange	610	2.0	40
PA05XRS/G	GaP	Green	568	2.0	40
PA05XRS/Y	AllnGaP	Yellow	588	2.0	30
PA05XRS/UG	InGaN	True Green	525	3.3	2200
PA05XRS/B	InGaN	Blue	465	3.3	1600
PA05XRS/W	InGaN	White	x,y	3.3	1500

*X denotes bezel finish: B = Black, C = Chrome

External current limiting resistor or 10-20mA constant current drive required

Dimensions



Please contact our office for the latest intensity yields
Specifications may be subject to change without notice